

Radar Flushing Unit SLP 07S



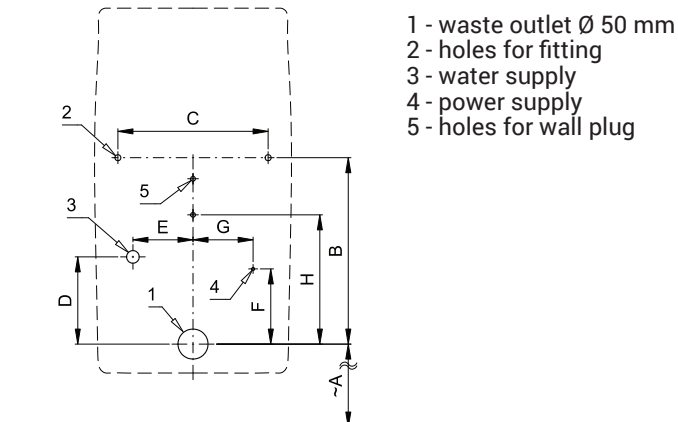
Characteristics



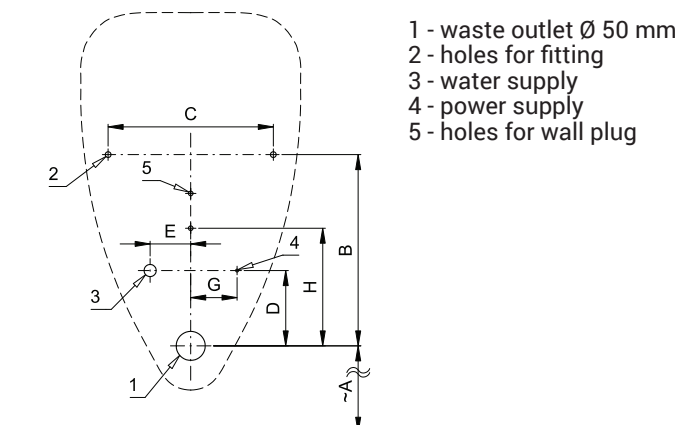
- radar flushing unit for urinals NOVA PRO FELIX 26 000; RENOVA Nr. 1 235 300; NOVA PRO ALEX 66 000; NOVA PRO M36 000; RENOVA Nr. 1 PLAN 235 100 (Kolo)
- economy flushing by 1 liter of water
- easy installation by the help of paper drill template
- whole flushing unit is placed behind the urinal
- system reacts only on the direct use of the urinal (it analyses changes, which are proceeded inside of the urinal, when a liquid is flowing through)
- adjustable flushing time 0,5 - 15,5 s
- parameters adjustment by remote control SLD 04 without the necessity to dismantle the urinal from the wall (acoustic setting indication)
- automatic flushing after each 6 hours non-use
- possibility to regulate a water flow by the angle valve
- radar flushing unit recharges a water to the siphon after each flushing

Installation Drawing

SLP 07 RENOVA NR. 1 PLAN



SLP 07 ALEX



Technical Specification

Operating voltage

- SLP 07S 24 V DC
- SLP 07Z 230 V AC/50 Hz
- SLP 07B 6 V

Power input

- operating by 24 V DC 8 W
- operating by 6 V 3 W

Recommended flow pressure

0,1 - 0,6 MPa

Rate of flow

18 l/min (inf. data)

Water inlet

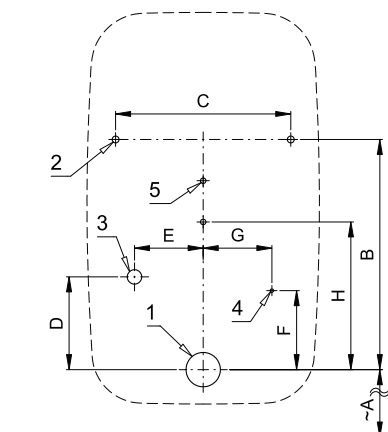
male thread G 1/2"

Water outlet

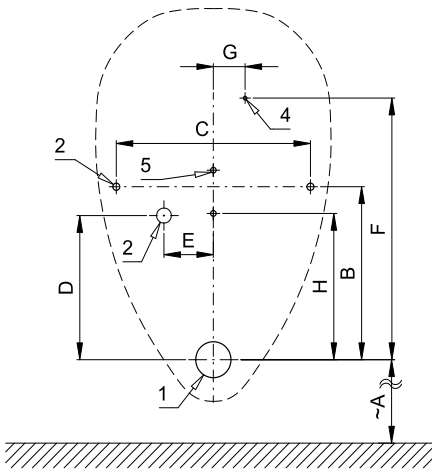
inlet fitting with a rubber sealing



SLP 07 NOVA PRO

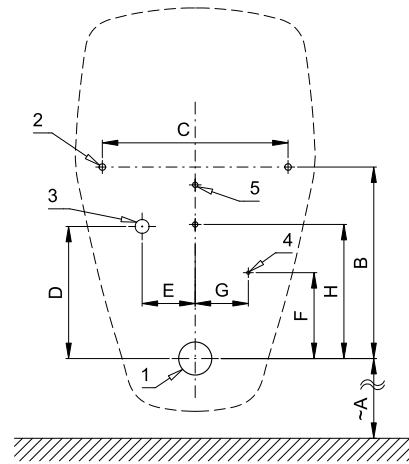


SLP 07 FELIX



- 1 - waste outlet \varnothing 50 mm
- 2 - holes for fitting
- 3 - water supply
- 4 - power supply
- 5 - holes for wall plug

SLP 07 RENOVA NR.1



Dimensions (mm)	A	B	C	D	E	F	G	H	
ALEX	320	330	285	130	70		80	203	
FELIX	390	240	275	200	70	360	45	205	
NOVA PRO	380	335	255	135	100	115	100	215	
RENOVA Nr. 1	390	290	280	200	80	130	80	203	
RENOVA Nr. 1 PLAN	390	310	250	145	100	125	100	215	

* for the height of the front edge of the urinal 650 mm above the floor

Supply Specification

- SLP 07S - Supply No. 11071 radar flushing unit on the mounting rail, electromagnetic valve, connecting hoses,
- SLP 07Z - Supply No. 01071 angle valve with filter and check valve, inlet fitting with a rubber sealling, siphon,
- SLP 07B - Supply No. 11076 paper drill template, power supply (SLP 07Z), 4 pcs. AA alkaline batteries, 1,5 V 2700 mAh with battery case (SLP 07B)

Recommended Accessories

- SLZ 01Y - Supply No. 05012 power supply 24 V DC for operating of max. 5 pcs. of flushing units
- SLZ 01Z - Supply No. 05011 power supply 24 V DC for operating of max. 9 pcs. of flushing units
- SLZ 04Y - Supply No. 05042 power supply 24 V DC on DIN rail, for operating of max. 5 pcs. of flushing units
- SLZ 04Z - Supply No. 05041 power supply 24 V DC on DIN rail, for operating of max. 9 pcs. of flushing units
- SLZ 04X - Supply No. 10049 power supply 24 V DC on DIN rail, for operating of max. 15 pcs. of flushing units
- SLZ 06 - Supply No. 05060 power supply 24 V DC for operating of max. 1 pc. of flushing unit
- SLD 04 - Supply No. 07040 remote control for an adjustment of parameters
- SLA 10 - Supply No. 06100 stainless steel sieve for urinal NOVA
- SLA 11 - Supply No. 06110 deodorising urinal screen - orange colour, mango scent
- SLA 11A - Supply No. 06111 deodorising urinal screen - red colour, kiwi and grapefruit scent
- SLA 11B - Supply No. 06112 deodorising urinal screen - transparent colour, honeysuckle scent
- SLA 11C - Supply No. 06113 deodorising urinal screen - blue colour, cotton bloom scent
- SLR 01L - Supply No. 08015 mounting frame to the plasterboard for the urinal with radar flushing unit on the mounting rail
- SLA 36 - Supply No. 06360 set of 4 pcs. alkaline batteries AA 1,5 V, 2700 mAh (for models with index B)